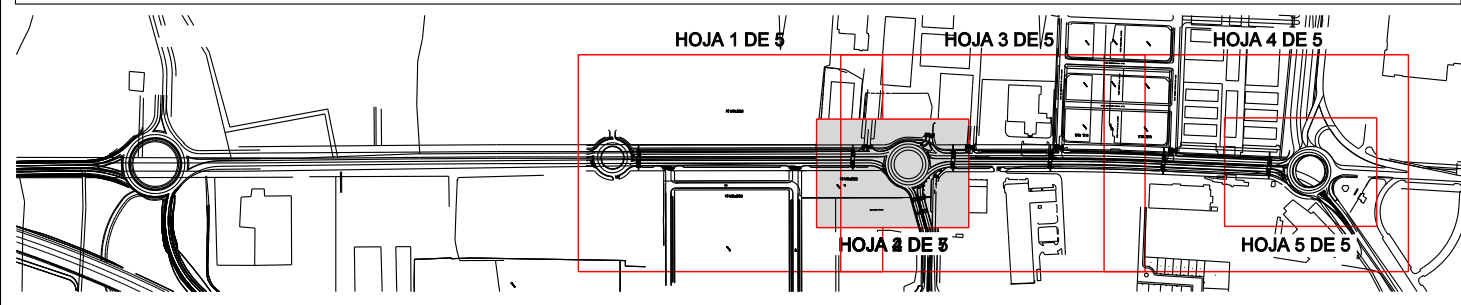



LISTADO DE PUNTOS			
Nombre	Coord. X	Coord. Y	Coord. Z
1	758019.338	4066771.621	40.960
2	758039.660	4066771.354	40.700
3	758048.698	4066788.219	40.800
4	758042.425	4066801.658	40.960
5	758026.130	4066806.280	41.090
6	758012.065	4066794.586	41.220
7	758011.302	4066782.834	41.090
8	757921.697	4066825.941	41.800
9	757923.497	4066833.376	41.950
10	757924.647	4066835.014	41.950
11	757930.830	4066839.089	41.800
12	757951.889	4066827.253	41.430
13	757949.100	4066820.830	41.570
14	757948.544	4066818.900	41.570
15	757945.945	4066812.401	41.430
16	757984.740	4066796.881	41.110
17	757985.767	4066804.010	41.190
18	757985.857	4066806.125	41.190
19	757988.459	4066812.624	41.110
20	758002.793	4066809.479	41.070
21	758011.956	4066812.952	41.020
22	758023.706	4066817.953	40.960
23	758033.059	4066818.359	40.890
24	758048.175	4066820.634	40.950
25	758059.855	4066829.596	41.000
26	757993.048	4066744.847	40.630
27	758000.434	4066761.366	40.820
28	757999.784	4066779.449	41.010
29	757995.091	4066790.161	41.060
30	757999.621	4066799.147	41.110
32	758024.927	4066745.853	40.170
33	758002.692	4066738.836	40.400
34	757999.268	4066741.484	40.560
35	758015.397	4066762.895	40.750
36	758053.244	4066809.955	40.750
37	758075.110	4066818.765	40.860
38	758057.024	4066772.879	40.500
39	758065.564	4066825.543	41.100
40	758069.400	4066822.819	41.100
44	758049.783	4066731.373	39.720
45	758054.797	4066736.293	39.600
47	758062.078	4066798.704	40.680
48	758060.692	4066788.605	40.620
49	758066.766	4066807.757	40.740
51	758044.653	4066745.037	40.200
52	758045.945	4066761.131	40.350
53	758041.214	4066753.412	40.270
54	758039.196	4066740.499	40.150
55	758034.358	4066743.685	40.180
56	758008.508	4066734.948	40.260
57	758032.211	4066749.855	40.250
58	758035.803	4066754.551	40.400
59	758031.568	4066757.209	40.500
60	758026.359	4066752.222	40.370

PLANTA GENERAL DE DISTRIBUCION DE HOJAS



BASES DE REPLANTEO

Nombre	Coord.X	Coord.Y	Coord.Z	Nombre	Coord.X	Coord.Y	Coord.Z
1	757735.931	4066380.113	44.000	777	758286.051	4067085.804	40.250
2	757824.704	4066497.186	43.080	778	758309.154	4067124.161	40.470
3	757767.407	4066465.060	43.430	801	758402.252	4067293.613	41.580
106	757727.380	4066392.190	43.990	802	758321.060	4067183.829	41.170
107A	757727.690	4066349.980	44.040	835	758369.087	4067246.814	41.150
430	757871.265	4066591.480	42.950	885	758422.761	4067274.225	41.100
506	757930.099	4066623.422	42.010	1008	758475.085	4067386.350	39.070
803	757969.579	4066677.851	41.400	1009	758462.955	4067388.527	39.080
750	758125.209	4066881.190	42.020	1022	758515.878	4067435.333	38.330
751	758296.231	4067109.706	40.370	1023	758573.640	4067533.055	38.550
752	758180.626	4066954.395	41.400	1671	758082.319	4066834.885	41.200
776	758242.361	4067031.489	40.810	1735	757990.857	4066716.364	40.720



Ayuntamiento de Jerez
Urbanismo

DEPARTAMENTO DE
URBANIZACION

TITULO DEL PROYECTO:
PROYECTO DE DESDOBLAMIENTO DE LA CARRETERA N-IV TRAMO GLORIETA POZOALBERO NORTE A GLORIETA DEL PORVENIR P.K.633,520 AL P.K. 635,000 1º DESGLOSADO

TITULO DEL PLANO:
REPLANTEO GLORIETA SECTOR-34

PLANO Nº: 2.4 HOJA Nº: 2 DE 5

ESCALA: ORIGINAL A-1 1/500 FECHA: MARZO 2009

ARCHIVO: DELINEANTE: INGENIERO DE CAMINOS: ING. TEC. OBRAS PUBLICAS: ING. TECNICO INDUSTRIAL:

2.4-PLANTA DE REPLANTEO-2.DGN JOSE LUIS ALBA FERNANDO BUENO CHOMON PABLO MONTABES C. DAVID MORA CABRAL